

GV-FE420/GV-FE421 4M H.264 Fisheye IP Camera

GV-FE421



GV-FE420



* GV-FE420 is excluded from Japan, EU and German market.

Introduction

The GV-FE420 / GV-FE421 is a fisheye camera that allows you to monitor all angles of a location using just one camera. The distorted hemispherical image of the fisheye camera will be converted into the conventional rectilinear projection.

Without installing any software, you can watch live view and utilize functions such as motion detection, privacy mask, and alert notification through the Web interface using an IE browser. In addition, the GV-FE420 / GV-FE421 seamlessly integrates with the GV-System, providing advanced monitoring and video management features.

The GV-Fisheye IP Camera is designed to be mounted on the ceiling, wall or ground. There are two ways to mount the GV-FE420 / GV-FE421 on the ceiling, Hard Ceiling Mount and In-Ceiling Mount. In-Ceiling Mount allows the GV-FE420 / GV-FE421 to be mounted into the ceiling, revealing a small portion of the camera.

Key Features

- 4M progressive scan CMOS
- H.264 and MJPEG
- Day / Night function
- Provides 360 and 180 degrees panorama view
- No mechanical moving parts
- Built-in Web server for monitoring through IE browser
- Virtual PTZ function
- Auto Pan function
- Different angle of view accessible by multiple users at the same time
- Playback from any view angle and zoom level
- Privacy mask

- Visual automation
- Tampering alarm
- Built-in microphone and speaker
- One sensor input and alarm output
- DC 12V / AC 24V / PoE
- Micro SD
- 16 languages on web interface

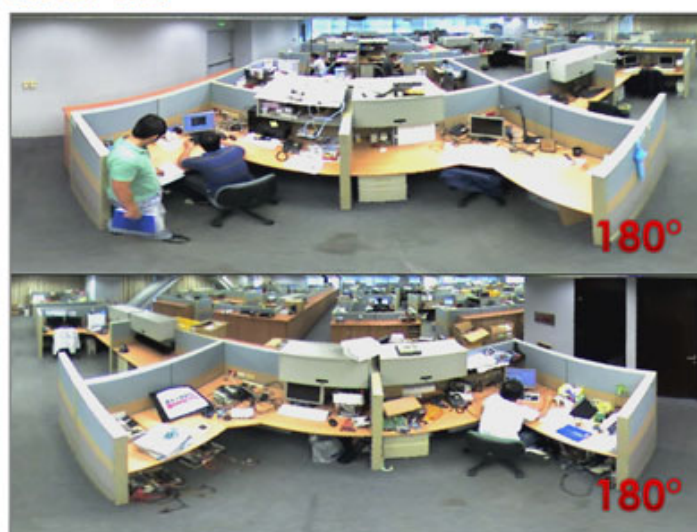
Fisheye Source Image



Single View



2 x 180° View

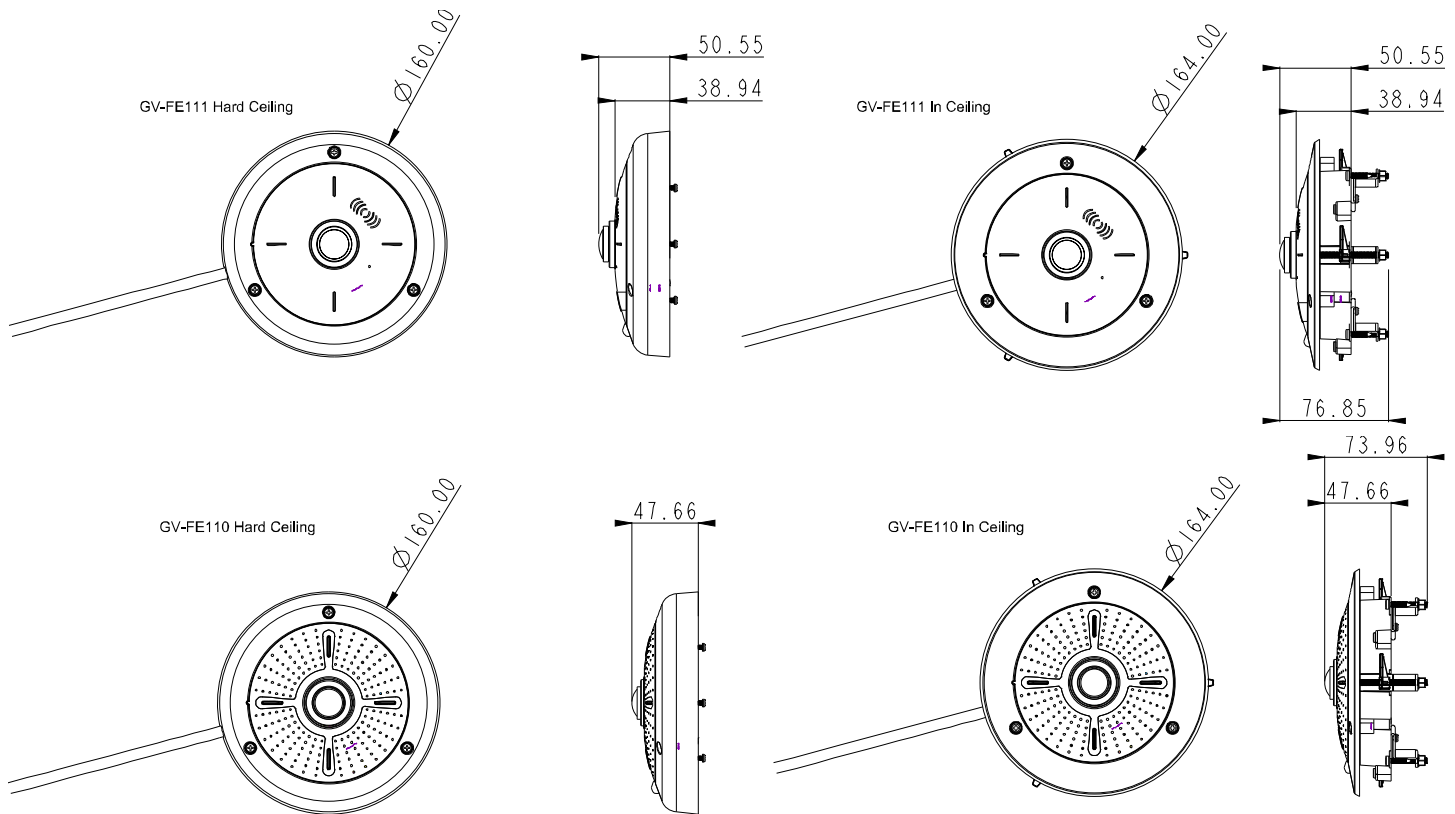


360° View



Quad View



SPECIFICATIONS


Camera		
Image Sensor	1/2.5" progressive scan CMOS	
Picture Elements	2048 (H) x 1944 (V)	
Minimum Illumination	4 Lux (1/30 sec), 2 Lux (1/5 sec)	
Shutter Speed	Automatic, Manual (1/5 - 1/8000 sec)	
White Balance	Automatic, Manual (2800K~8500K)	
Optics Lens		
Megapixel	Yes	
Day / Night Support	Yes	
Iris	Fixed Iris	
Focal Length	1.27 mm	
Aperture	F/2.8	
Mount	M12, Pitch 0.5 mm	
Image Format	1/2"	
Angle of View	Diagonal	180°
	Horizontal	180°
	Vertical	180°
Operation	Focus	None
	Zoom	None
	Iris	Fixed
Operation		
Video Codec	H.264, MJPEG	
Video Resolution	2048 x 1944	
Frame Rate	15 fps	
Image Setting	Brightness, Contrast, Sharpness, Gamma, White Balance, Flicker-less, Image Orientation	
Audio Codec	G.711	
Digital Input	1 Input (Dry Contact)	
Digital Output	1 output	
Network		
Interface	10/100 Ethernet	
Ethernet Protocol	HTTP, HTTPS, TCP, UDP, SMTP, FTP, DHCP, NTP, UPnP, DynDNS, RTSP, PSIA, SNMP	

Mechanical		
	Power	Terminal block (3 pin)
	Ethernet	Ethernet (10/100 Base-T), RJ-45 Connector
	Audio	Built-in microphone and speaker
Connectors	Digital I/O	I/O Wire
	Auto Iris	None
	Local Storage	Micro SD/SDHC memory card slot
	TV-Out	None

General	
Operating Temperature	0 °C ~ 50 °C / 32 °F ~ 122 °F
Humidity	10% to 90% (no condensation)
Power Source	12V DC / 24V AC / PoE (IEEE802.3af)
Power Consumption	7.2 W (max. 600mA at 12V DC)
Regulatory	CE, FCC, C-Tick, RoHS compliant
Dimension (L X W X H)	Ø 160 x 47.66 mm / 6.29 x 1.83 in
Weight	650 g / 1.43 lb

Power over Ethernet	
PoE Standard	IEEE 802.3af Power over Ethernet / PSE
PoE Power Supply Type	End-Span
PoE Power Output	Per Port 48V DC, 350mA. Max. 15.4 watts

Web Interface	
Installation Management	Web-based configuration
Maintenance	Firmware upgrade through Web Browser
Access from Web Browser	Camera live view, video recording, change video quality, bandwidth control, image snapshot, digital I/O control, audio, Picture in Picture, Picture and Picture, Privacy Mask, Visual Automation, Tampering Alarm, Auto Pan function, virtual PTZ
Language	Czech / Danish / English / French / German / Hebrew / Hungarian / Italian / Japanese / Polish / Portuguese / Russian / Serbian / Simplified Chinese / Spanish / Traditional Chinese

Applications	
Network Storage	GV-NVR, GV-System
Live Viewing	IE
CMS Server support	GV-Control Center, GV-Center V2, GV-VSM

Note:

1. Specifications are subject to change without notice.
2. Wall mount and ground mount are not supported in all firmware versions.