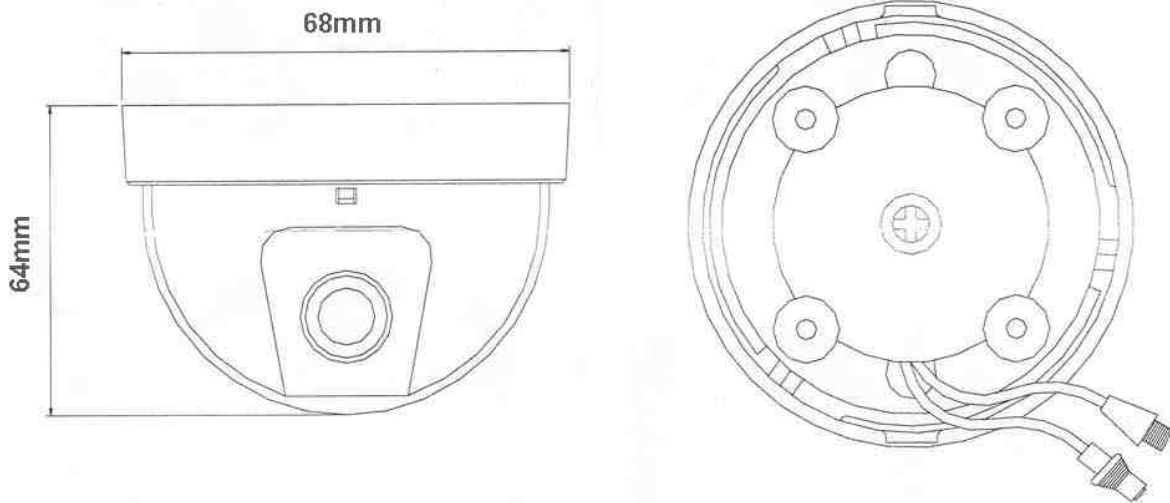


1/3" COLOR DOME CAMERA

040574-3



FEATURES

- COLOR camera with a 1/3" CCD sensor in mini Dome.
- Employs Digital Signal Processor (DSP) IC for image control.
- Pixel number : NTSC=270K / PAL=320K.
- Reduced fixed pattern noise and lag. No sticking and no image distortion. Excellent anti-blooming. Low smear.
- Supports functions: Auto Electronic Shutter (AES), Auto Gain Control (AGC), Multi-Color Temp. Auto White Balance (MCT-AWB).
- Built-in microphone and audio amplifier for audio function(option).
- Built-in anti-aliasing and IR-cut optical filter.
- Furnished with camera lens and connector cable.
- DC type, low power consumption. Economical, aesthetic.

SPECIFICATIONS (Note: Design and specifications are subject to change without prior notice.)

Image Pick-up Device	SHARP 1/3" CCD sensor
Effective Picture Elements	NTSC: 510*492, PAL: 512*582 (H*V)
Horizontal Resolution	420 TV Lines
Minimum Illumination	0.3 LUX, F=1.2
S/N Ratio	More than 48 dB
Auto Electronic Shutter	NTSC: 1/60s~1/100,000s, PAL: 1/50s~1/110,000s.
Auto Gain Control	Yes
Auto White Balance	Multi-Color Temp. AWB (MCT-AWB)
Lens Furnished	Board lens f 4.0 mm / F2.0
Gama Characteristic	0.45
Synchronous System	Internal, Negative sync.
Video Output	1 Vp-p / 75 Ohms. BNC or F connector
Power Supply	12V DC \pm 10% / 120 mA. / 1.44W
Audio Function (option)	Microphone + Amplifier (2Vp.p., 50 Ohms). RCA connector
Operating Temp.	-10°C to 50°C (14°F to 122°F)
Weight	160 g

* Warning: This product is with patent, any unauthorized actions are strictly prohibited, it will establish liability of legal.