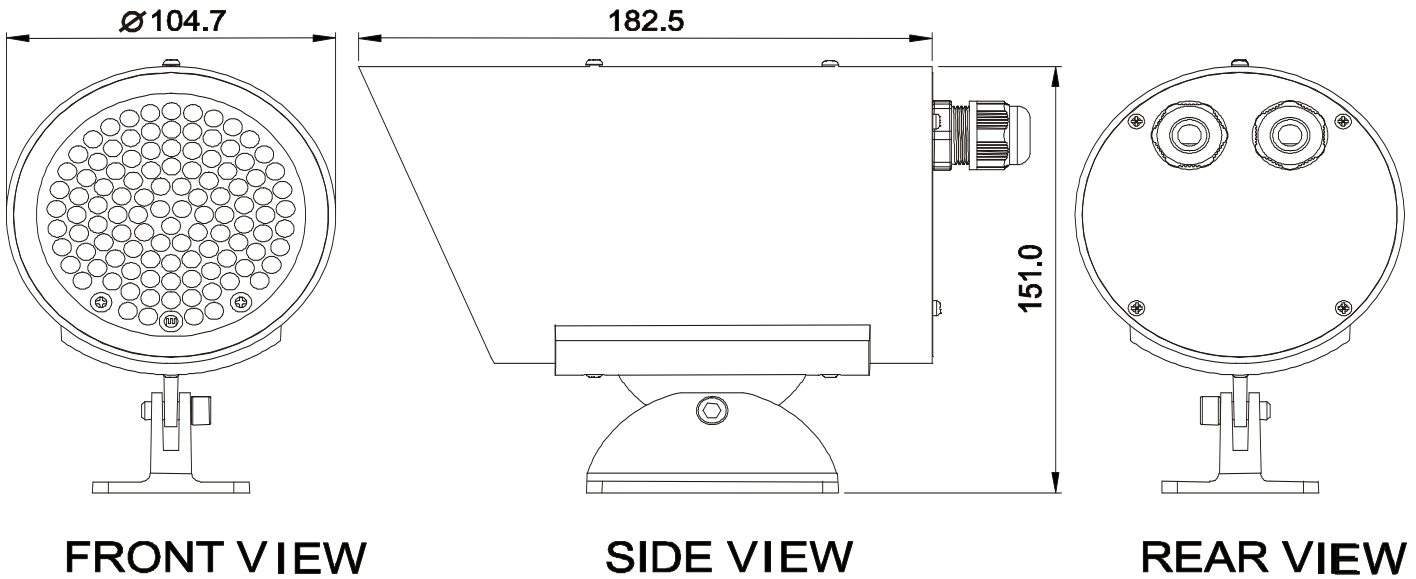


YOKO INFRARED ILLUMINATOR

MODEL: YK-8800



FEATURES

- An illuminant source to assist for cameras in low illumination environment.
- Economical solution, Furnished with mounting bracket.
- Plug & Play. Installs easily and is suitable DIY (Do It by Yourself).
- AC100 ~ 240V, AC24V & DC12V type power request for optional.
- Long life luminary with using special wavelength Infrared LED.
- Built-in environment illumination detection and control circuit that can turn-on/off the infrared illuminant automatically.
- Waterproofing criterion: IP66.

SPECIFICATIONS (Note: Design and specifications are subject to change without prior notice.)

Infrared Luminary	98 pieces IR LED, Life: 6000 Hrs.
Wavelength	850 nm.
Beam Spread Angle	18°
Illuminate Distance	30 M
Illuminator Active Limit	Under 10 Lux. (linear control.)
Power consumption	21 Watt Max.
Power Supply	AC100-240V \pm 10% 47-63Hz / 30W typical. AC24 \pm 10% 60Hz / 18W typical. 12V DC \pm 10 % / 1.5 A typical. (total Power supply require for CCD Camera & IR-LED ON)
Operating Temp.	-10°C to 50°C (14°F to 122°F)
Waterproofing criterion	IP 66
Dimensions	$\varnothing 104.7$ mm x 182.5 mm